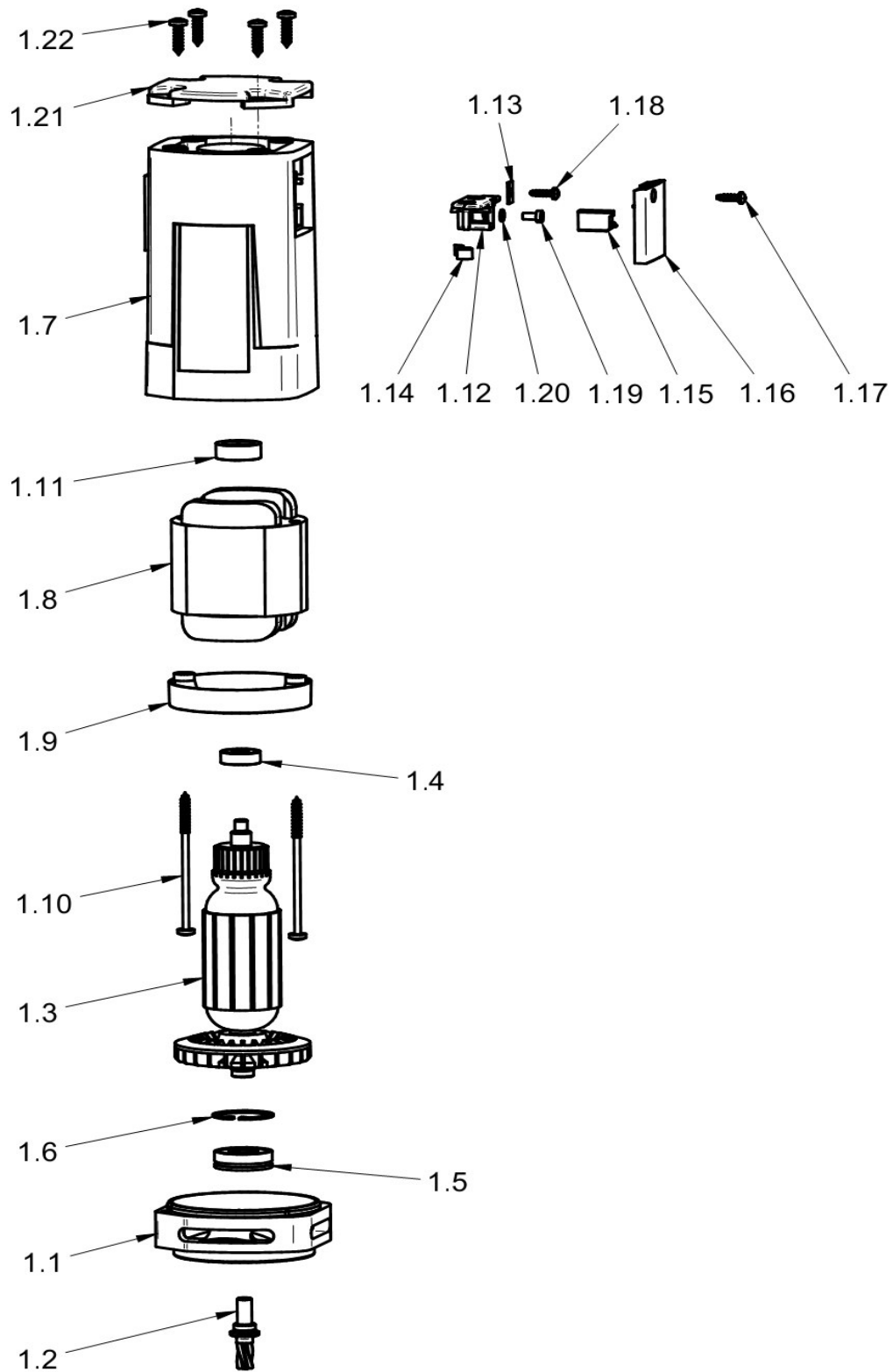
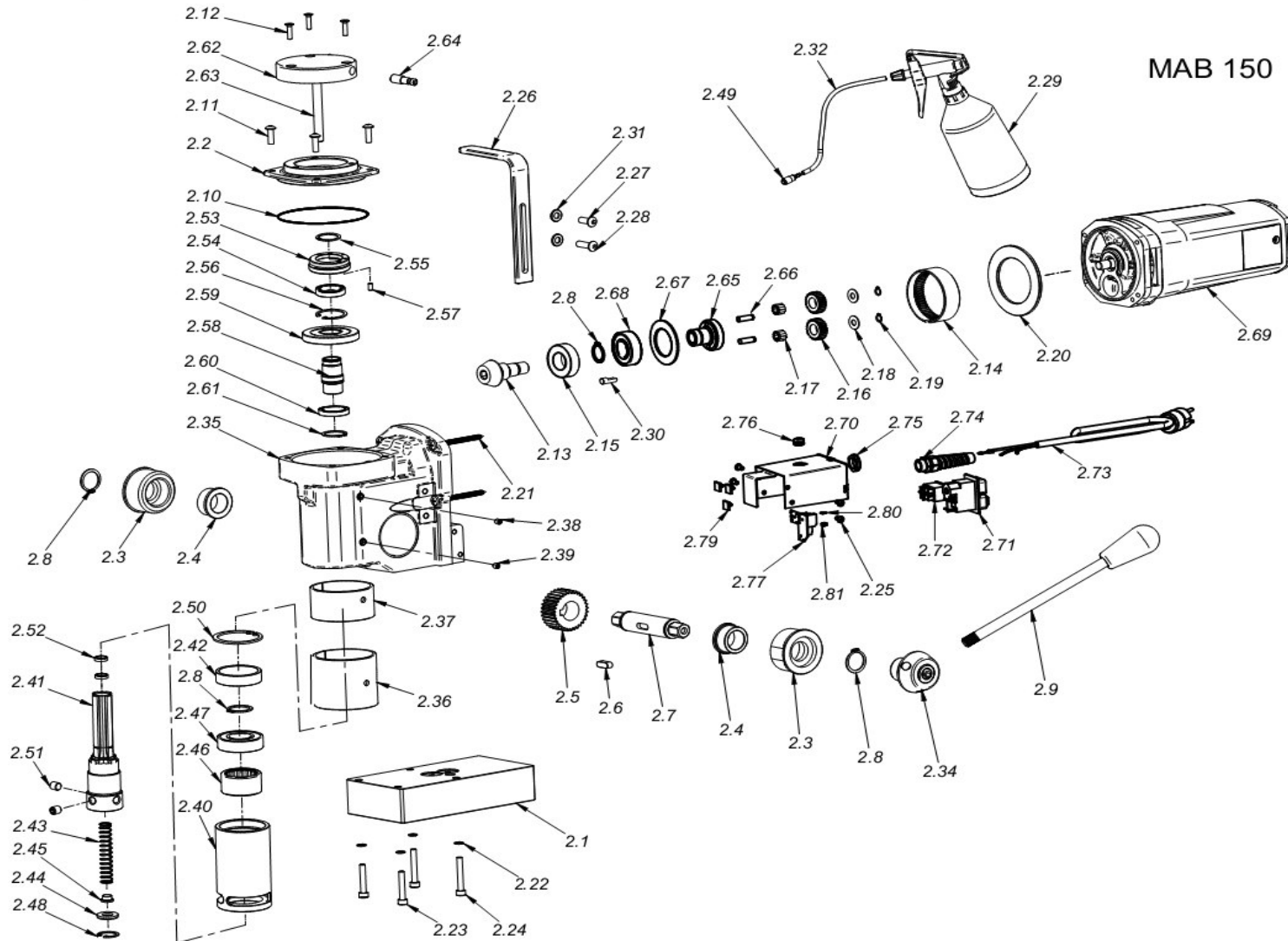
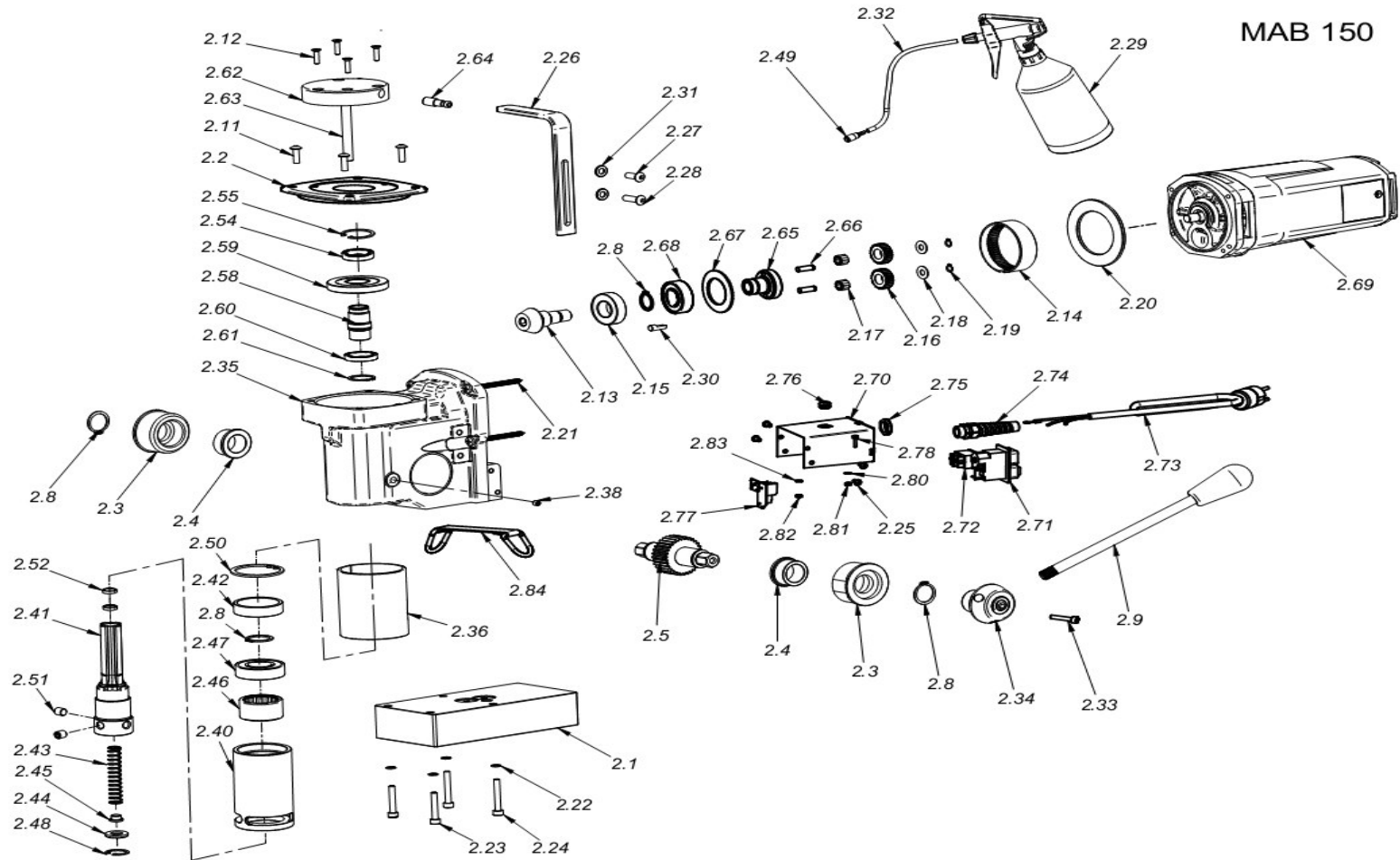


Motor MAB 150



Pos. No.	Article no.	Description	pc
1.1	6012751	Gearbox bearing plate	1
1.2.1	6012501	Armature gear wheel 8 teeth until January 2011	1
1.2.2	6012502	Armature gear wheel 6 teeth since January 2011	1
1.3.1	6012861	Armature 110V	1
1.3.2	6012911	Armature 230V	1
1.4	5013141	Ball bearing 627 ZZ C3 S	1
1.5	5013081	Ball bearing 6201 2BRS T9H C3	1
1.6	6010771	Circlip ring 32W	1
1.7	5012971	Motor housing	1
1.8.1	5013171	Field coil 110V	1
1.8.2	5013161	Field coil 230V	1
1.9	5013151	Cap for field coil	1
1.10	5013131	Screw 4,8x85 DIN 7981	2
1.11	5013181	Bearing cap 22x9	1
1.12	5013211	Carbon brush holder	2
1.13	5015051	Connection plate 8x13	2
1.14	5015061	Spring 6x0,25	2
1.15	5013221	Carbon brush 6,4x12,5x19	2
1.16	5013191	Cap for carbon brush	2
1.17	5013201	Screw 3,9x13 DIN 7981	2
1.18	5015071	Screw 3,5x13 DIN 7981	2
1.19	5015081	Screw with groove M4x8-5.8 DIN 84	2
1.20	5015091	Spring washer 4,2x0,5	2
1.21	5014021	Cap for motor housing	1
1.22	5013251	Screw 4,8x19 DIN 7981	4





Pos. No.	Article no.	Description	pc
2.1	6012321	Magnet (electric)	1
2.2.1	6012591	Cover for bearing until January 2011	1
2.2.2	6014241	Cover for bearing since January 2011	1
2.3	6012541	Holder for guide shaft	2
2.4	6012531	Self-lubricating jack	2
2.5.1	6012561	Gear wheel 32 teeth	1
2.5.2	6014201	Guide shaft complete	1
2.6	6012571	Spring 6x6x16 DIN 6885 until January 2011	1
2.7	6012581	Shaft until January 2011	1
2.8	6012401	Circlip ring outside 20 teeth DIN 471	4
2.9	6012631	Handle rod with knob	1
2.10	6012521	O-Ring 80x1,3 until January 2011	1
2.11	6012601	Hexagon socket M5x16 DIN 7380	3
2.12.1	6012681	Hexagon socket M4x16 DIN 912 until January 2011	3
2.12.2	6010841	Hexagon socket M5x20 DIN 912 since January 2011	4
2.13	6012411	Pinion shaft T=11	1
2.14	6012841	Ring T=62	1
2.15	5013301	Ball bearing 6003 ZZ	1
2.16.1	6012811	Pinion T=27 until January 2011	2
2.16.2	6014211	Pinion T=28 since January 2011	2
2.17	6012801	Needle 2,5x7,8	20
2.18	6012821	Washer 14x6,1x1	2
2.19	6012831	Circlip ring outside 6 teeth	2
2.20	6012851	Washer	1
2.21	6012641	Screw 4,8x60 DIN 7981	2
2.22	6012331	Spring washer 5,1 DIN 128	4
2.23	6012351	Hexagon socket M5x30 DIN 912	2
2.24	6012341	Hexagon socket M5x35 DIN 912	2
2.25	6011951	Hexagon socket M5x10 DIN 7380	4
2.26	6012901	Carrier handle	1
2.27	6012881	Hexagon socket M6x16 DIN 7380	1
2.28	6012871	Hexagon socket M6x20 DIN 7380	1
2.29	ZKK 150	Cooling pump	1
2.30	6012741	Stop pin	1
2.31	6012891	Washer 6,4 DIN 433	2
2.32	ZSS 200S	Coolant tube, short 260mm	1
2.33	6010461	Hexagon socket M6x30 DIN 912 since January 2011	1
2.34.1	6012621	Head for gear wheel until January 2011	1
2.34.2	6012622	Head for gear wheel since January 2011	1
2.35.1	6012311	Housing until January 2011	1
2.35.2	6012312	Housing since January 2011	1
2.36.1	6012371	Gear jack 1 until January 2011	1
2.36.2	6014221	Gear jack 1 since January 2011	1
2.37	6012361	Gear jack 2 until January 2011	1
2.38	6012511	Set screw M6x8 DIN 913 until January 2011	1
2.39	6014231	Adjusting screw until January 2011	1
2.40	6012431	Shaft for gear wheel	1
2.41	6012451	Spindle	1
2.42	6012391	Distance sleeve	1
2.43	6012471	Spring for arbor	1
2.44	6012491	Sealing washer	1
2.45	6012481	Washer	1
2.46	6012421	Needle bearing RHNA 303720	1

Pos. No.	Article no.	Description	pc
2.47	5012281	Ball bearing 6004 2RS	1
2.48	5013381	Circlip ring inside 19W	1
2.49	ZSS 200K	Quick change coupling	1
2.50	6012381	Ciclip ring inside 42W	1
2.51	6010181	Set screw M8x10 DIN 913	2
2.52	6012441	Sealing ring	2
2.53	6012981	Cover for bevel gear until January 2011	1
2.54	6012961	Ball bearing 61805 2RS	1
2.55	6012991	Circlip ring 25Z Type A	1
2.56	6012951	Circlip ring inside 37W until January 2011	1
2.57	6012971	Set screw M5x10 DIN 913 until Janaury 2011	1
2.58	6012931	Bevel gear shaft	1
2.59	6012941	Supporting disc	1
2.60	6012921	Ball bearing 6806 LLU	1
2.61	6011921	Circlip ring outside 30 teeth	1
2.62.1	6012611	Cover for gear box until January 2011	1
2.62.2	6012612	Cover for gear box since January 2011	1
2.63	6012671	Tube for coolant supply	1
2.64	ZSS 200N	Brass nipple for quick change coupling	1
2.65.1	6012781	Ring gear until January 2011	1
2.65.2	6012782	Ring gear since January 2011	1
2.66	6012791	Support pin 6x19	2
2.67	6012771	Shaft for gear box washer 55x1,8	1
2.68	6012761	Ball bearing 6004	1
2.69.1.1	6001511	Motor 110V until January 2011	1
2.69.2.1	6001512	Motor 110V since January 2011	1
2.69.1.2	6001501	Motor 230V until January 2011	1
2.69.2.2	6001502	Motor 230V since January 2011	1
2.70	6012651	Electronic bracket	1
2.71.1	7012161	Actuator 110V	1
2.71.2	7012151	Actuator 230V	1
2.72	7010142	Magnet switch, 4 connection terminals	1
2.73.1.1	7010052	Connection cable 110V with GB-plug	1
2.73.2.1	7010242	Connection cable 110V with US-plug	1
2.73.1.2	7010042	Connection cable 230V complete with plug	1
2.74	7010031	Mains cable gland PG 11	1
2.75	6014251	Cord grip round	1
2.76	6012711	Ring for electronic bracket LA6	1
2.77.1.1	6012551	Control board 110V until January 2011	1
2.77.2.1	6012552	Control board 110V since January 2011	1
2.77.1.2	6012461	Control board 230V until January 2011	1
2.77.2.2	6012462	Control board 230V since January 2011	1
2.78	6012021	Hexagon socket M3x16 DIN 912 since January 2011	1
2.79	6013921	Blocking sheet until January 2011	3
2.80	6011371	Washer 4,3 DIN 6797	1
2.81	4010271	Nut M4 DIN 934-8	1
2.82	6014261	Nut M3 DIN 934 since January 2011	1
2.83	6014271	Spring ring 3,2 DIN 128 since January 2011	1
2.84	6014341	Eye band for safety chain since January 2011	1