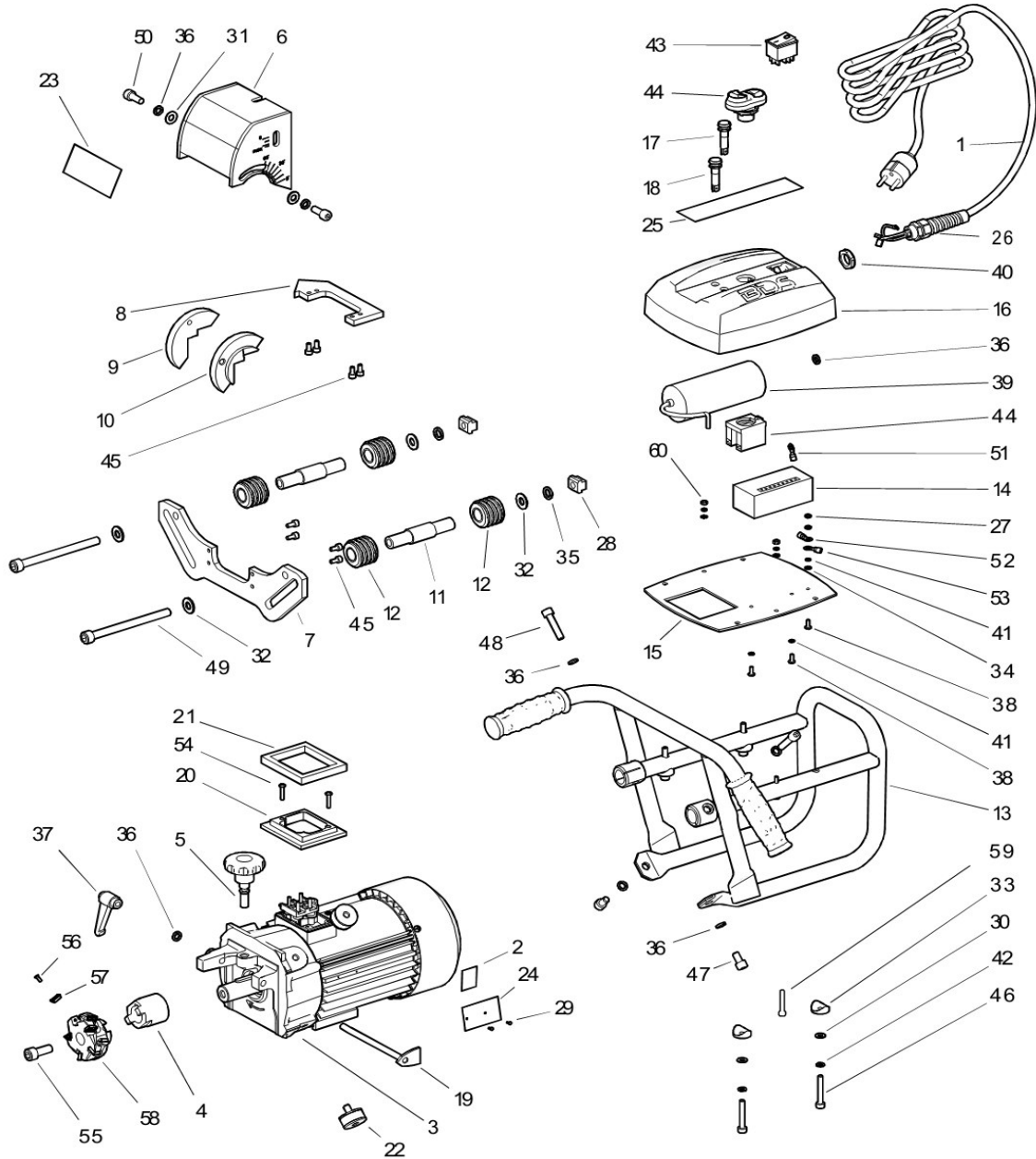




## Spare part list 2015

### SKF 025 Motor

| Pos. No. | Article no. | Description             | pc. |
|----------|-------------|-------------------------|-----|
| 1.1      | 6250511     | End shield              | 1   |
| 1.2      | SFE 105.5   | Ball bearing 6206 2Z CM | 1   |
| 1.3      | SFE 402     | Spring A6x6x32 DIN 6885 | 1   |
| 1.4      | 6250521     | Armature 230V           | 1   |
| 1.5      | SFE 105.3   | Ball bearing 6204 2Z C3 | 1   |
| 1.6      | SFE 105.6   | Interspace spring ring  | 1   |
| 1.7      | SFE 105.2   | Motor housing 230V      | 1   |
| 1.8      | 6200171     | Sealing gasket 4        | 1   |
| 1.9      | 6200161     | Connection plate        | 1   |
| 1.10     | SFE 105.1   | Bearing plate P         | 1   |
| 1.11     | SFE 105.10  | Screw M5x168 DIN 931    | 3   |
| 1.12     | 6250531     | Fan wheel               | 1   |
| 1.13     | 7010081     | Screw M4x8              | 3   |
| 1.14     | 6250541     | Fan cover               | 1   |



| Pos. No. | Article no. | Description   | pc |
|----------|-------------|---|----|
| 1.1.1    | 7010052     | Connection cable 110V with GB-plug                          | 1  |
| 1.2.1    | 7010242     | Connection cable 110V with US-plug                          | 1  |
| 1.1.2    | 7010042     | Connection cable 230V complete with plug                    | 1  |
| 2        | 6250021     | Label   | 1  |
| 3.1      | 6250031     | Motor 110V  | 1  |
| 3.2      | 6250041     | Motor 230V  | 1  |
| 4        | 6250051     | Driving collar  | 1  |
| 5        | 6250061     | Locking handle  | 1  |
| 6        | 6250071     | Cover for milling head                                      | 1  |
| 7.1      | 6250081     | Vertical guidance until November 2012 - no longer available | 1  |
| 7.2      | 6250082     | Vertical guidance since November 2012                       | 1  |
| 8        | 6250091     | Horizontal guidance   | 1  |
| 9.1      | 6250101     | Guide holder 1 until November 2012- no longer available     | 1  |
| 9.2      | 6250102     | Guide holder 1 since November 2012                          | 1  |
| 10.1     | 6250111     | Guide holder 2 until November 2012 - no longer available    | 1  |
| 10.2     | 6250112     | Guide holder 2 since November 2012                          | 1  |
| 11       | 6250121     | Axis  | 2  |
| 12       | 6250131     | Distance roll   | 4  |
| 13       | 6250141     | Grab handle complete  | 1  |
| 14.1     | 6250151     | Control board 110V  | 1  |
| 14.2     | 6250161     | Control board 230V  | 1  |
| 15       | 6250171     | Ground plate  | 1  |
| 16       | 6250181     | Housing of steering mechanism                               | 1  |
| 17       | 6250191     | Light red   | 1  |
| 18       | 6250201     | Light yellow  | 1  |
| 19       | 6250211     | Indicator   | 1  |
| 20       | 6250221     | Intermediate disc   | 1  |
| 21       | 6250231     | Rubber seal   | 1  |
| 22       | 6250241     | Buffer  | 4  |
| 23       | 6250251     | Label for milling head                                      | 1  |
| 24.1     | 6250261     | Label 110V  | 1  |
| 24.2     | 6250271     | Label 230V  | 1  |
| 25       | 6250281     | Label for steering mechanism                                | 1  |
| 26       | 7010031     | Mains cable gland PG 11                                     | 1  |
| 27       | 4010271     | Nut M4 DIN 934-8  | 2  |
| 28       | 6250311     | T sliding block   | 2  |
| 29       | 6250321     | Round-headed rivet 2x6                                      | 2  |
| 30       | 6012891     | Washer 6,4 DIN 125A   | 4  |
| 31       | 6014151     | Washer 8,4 DIN 433  | 3  |
| 32       | 6250331     | Washer 10,5 DIN 433   | 4  |
| 33       | 6250341     | Distance disc   | 4  |
| 34       | 6011371     | Washer 4,3 DIN 6797-A                                       | 6  |
| 35       | 6250351     | Spring washer 10,2 DIN 7980                                 | 2  |
| 36       | 6010571     | Spring washer 8,2 DIN 7980                                  | 8  |
| 37       | 6250361     | Clamp lever   | 1  |
| 38       | 6010521     | Screw M4x10 DIN 7985  | 4  |
| 39.1     | 6250371     | Capacitor 80uF/110V   | 1  |

|      |         |   |    |
|------|---------|---|----|
| 39.2 | 6250381 | Capacitor 30uF/230V                       | 1  |
| 40   | 6014251 | Cord grip round                           | 1  |
| 41   | 6011301 | Spring washer 4,1 DIN 7980                | 6  |
| 42   | 6010021 | Spring washer 6,1 DIN 7980                | 4  |
| 43   | 7010142 | Magnet switch 4 connection terminals      | 1  |
| 44   | 7010111 | Actuator                                  | 1  |
| 45   | 6250411 | Hexagon socket M5x10 DIN 912              | 8  |
| 46   | 6250421 | Hexagon socket M6x40 DIN 912              | 4  |
| 47   | 6250431 | Hexagon socket M8x14 DIN 912              | 2  |
| 48   | 6050241 | Hexagon socket M8x35 DIN 912              | 2  |
| 49   | 6250441 | Hexagon socket M10x120 DIN 912            | 2  |
| 50   | 6050091 | Hexagon socket M8x20 DIN 912              | 2  |
| 51   | 6250461 | Wiring set for switch on/off              | 1  |
| 52   | 6250471 | Earthing cable for connection plate       | 1  |
| 53   | 6250481 | Motor cable                               | 1  |
| 54   | 6250491 | Screw with cross slot M4x20 DIN 7985      | 2  |
| 55   | 7011721 | Hexagon socket M10x25 DIN 912             | 1  |
| 56   | 7012141 | Clamping screw M3,5-2+8,5 T15 for SHM 800 | 10 |
| 57   | SHM 800 | HM-High speed insert                      | 10 |
| 58   | ZFR 250 | Shell-type milling cutter                 | 1  |
| 59   | 6250501 | Screw with cross slot M4x30 DIN 7985      | 2  |